
PAAPL

Peace Arms & Ammunitions Private Limited

A FIRST LINE OF DEFENSE TO SAVE LIVES



COMMITMENT

COMPETENCE

CHARACTER

VISION

It is our mission to develop unmanned robotic systems to protect our soldiers and to reduce overall casualties. Robotic Systems are intended to provide meaningful reconnaissance and protection. Soldier casualty leads to a reduced morale in the forces. Unmanned vehicles limits the use of extreme measures leading to reduced casualty thereby increasing morale of the forces.

UNMANNED GROUND ROBOTS

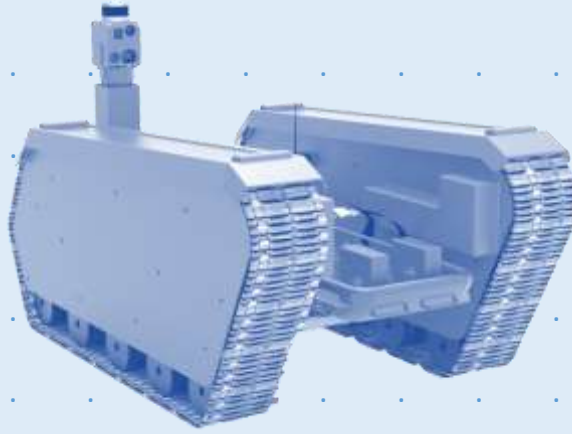


Surveillance Evacuation Robot



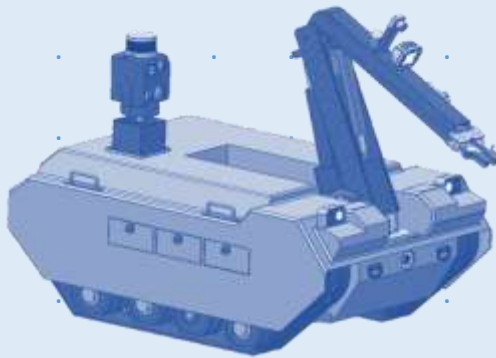
Room Intervention Robot

1



ARMED RESCUE ROBOT

2



ROOM INTERVENTION ROBOT

1 SURVEILLANCE EVACUATION ROBOT

Armed Rescue Robot is a heavy weight all terrain unmanned rescue platform capable of evacuation, providing surveillance and providing a versatile multi utility platform in hostile environment.

1. It can locate and access injured casualties and ferry them to safety.
2. Its armor plating and bullet proof coating ensures that can perform evacuation activities in compromised territories.
3. It provides real time, Long range intelligence gathering to keep personnel safe in dangerous situations. It has Day Night cameras along with thermal imagers for a 360 degree view of the environment.

Overall Armed Rescue Robot is perfect to complement troops in

- Reconnaissance
- Explosive Ordinance Disposal
- Casualty Evacuation
- Supply of Ammunition
- Road Clearance
- Room Intervention Operations

APPLICATIONS INCLUDE



EXPLOSIVE DETECTION

Detection of explosives with the Ground Penetrating Radar (GPR) attachment.



ARMOUR PLATING

Armored Plating and Bullet Proof Shielding helps provide cover fire to troops support to move towards dominating or safe grounds in the presence of enemy fire.



STRETCHER ATTACHMENT

A stretcher attachment for unmanned evacuation of troops from the battlefield.



COVER FIRE

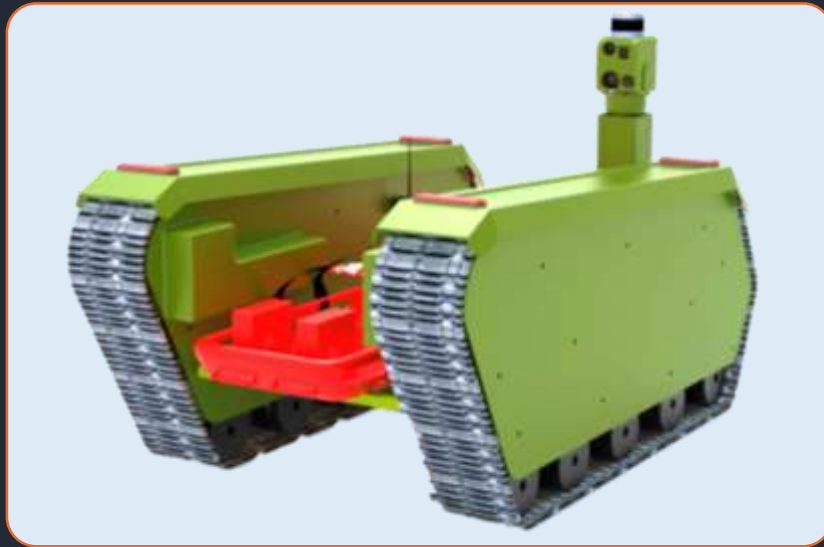
Real time Audio and Visual Information being streamed back to soldiers. Ideal for exploring hazardous environments.



DRONE REMOTE PLATFORM

Serves as a remote platform capable of launching drones remotely. The precision landing system ensures that the Drone can land back on its own as well.

SURVEILLANCE EVACUATION ROBOT



SPECIFICATIONS

Dimensions

Weight : 200 KG
Width : 36 INCH
Length : 60 INCH

Maneuverability

Max Speed : 12 Km/h
Climbing Slope : 45 Degrees
Slide Slope : 30 Degrees
Stair Obstacle Climb : 6 Inch

Operation

Lead Acid Rechargeable Batteries
Lithium Ion Rechargeable Batteries Interchangeable
2 – 5 Hours – Mission Dependent
Full Charging time : 3 Hours

Payload
400 kg

Sensors

Day Night Cameras
Thermal Camera
Spectrum Analyzer
Ground Penetrating Radar
LIDAR

Accessories
Water Jet | Metal Cutter

Communication

Secure WIFI 2.4 Ghz
Military COFDM

Reliability

1 year limited warranty
Environmental:IP65

Accessories

Robotic Arm
Advanced Surveillance
Evacuation Platform
Gun Turret
Tear Gas Attachment

User Interface

Touch Pad,
RC Controllers

Operation Modes

Autonomous Mode
Follow Me Mode
Manual Mode

2 ROOM INTERVENTION ROBOT

Room Intervention Robot is a medium weight unmanned all terrain reconnaissance platform capable of deep penetration, surveillance and ammunition supply in compromised and hostile environments.

It provides real time, Long range intelligence gathering to keep personnel safe in dangerous situations. It has Day Night Zoom cameras along with thermal imagers for a 360 degree view of the environment.

It is small enough to negotiate tight urban environments, but maintains the mobility needed to handle extreme cross-country terrain.

It has a unique set of capabilities for a UGV. Using high endurance battery power, it offers near silent running up to a 25km range and will come with a set of mission systems that can be quickly changed in the field. It's bullet proof armor protects against blast and small arms fire to increase mission survivability.

Room Intervention Robot can be fitted with advanced Reconnaissance equipment, namely

- LIDAR based sensing,
- Thermal Analyzers
- Day Night Zoom Cameras,
- Spectrum Analyzers (hostile communication exchange).

It can also be fitted with a dexterous mobile manipulator capable of multi mission roles.

Overall Room Intervention Robot is perfect to act as a first line of defense / offense in

- Supply of Ammunition
- Reconnaissance
- Room Intervention Operations
- Explosive Ordinance Detection

APPLICATIONS INCLUDE

ROAD CLEARANANCE – remote weapon station combined with imaging and audio sensors allowing soldiers to project force at a distance.

RECONNAISSANCE – Real time Audio and Visual Information being streamed back to soldiers. Ideal for exploring hazardous environments.

EXPLOSIVE ORDINANCE DETECTION – Detection of explosives with the Ground Penetrating Radar (GPR) attachment.

SUPPLY OF AMMUNITION – To supply ammunition to troops in front line positions.

COVER FIRE – Armored Plating and Bullet Proof Shielding helps provide cover fire to troops support to move towards dominating or safe grounds in the presence of enemy fire.

ROOM INTERNVENTION – To enable to investigate the presence of hostile elements without being exposed to being in first line of fire.

ROOM INTERVENTION ROBOT



SPECIFICATIONS

Dimensions

Weight : 150 KG
Width : 34 INCH
Length : 48 INCH

Sensors

Day Night Cameras
Thermal Camera
Spectrum Analyzer
Ground Penetrating Radar
LIDAR

Communication

Secure WIFI 2.4 Ghz
Military COFDM

Reliability

1 year limited warranty
Environmental:IP65

Maneuverability

Max Speed : 6 Km/h
Climbing Slope : 45 Degrees
Slide Slope : 30 Degrees
Stair Obstacle Climb : 6 Inch

Accessories

Robotic Arm
Advanced Surveillance

Operation

Lead Acid Rechargeable Batteries
Lithium Ion Rechargeable Batteries Interchangeable
2 – 5 Hours – Mission Dependent
Full Charging time : 3 Hours

User Interface

Touch Pad
RC Controllers

Payload

150 kg

Operation Modes

Autonomous Mode
Follow Me Mode
Manual Mode

5 MULTI ROLE DRONE

Interconnected, co operative drones that are capable of working together to overwhelm challenging tasks.

1. **Audio communication** : Loud speaker based communication will ensure that any particular information that needs to be conveyed is being able to conveyed without putting soldiers at any unnecessary risk.
2. **Area illumination** : 125,000 lumen area illumination enables that the drone will be able to illuminate certain areas providing selective illumination and the chance of surprise attack.
3. **Thermal surveillance** : Long distance thermal camera integration ensures rigorous scanning of the environment for detection of
4. **Autonomous navigation** : Full autonomous motion ensures mission completion even under jamming and other non line of sight communication.
5. **Pan tilt zoom camera for surveillance** : Full 360 degrees coverage independent vibration damped imagery with zoom capability to ensure surveillance and tracking of target.
6. **High precision landing and take off** : High precision landing and take off to ensure take off and landing from top of a vehicle and mobile drone take off and landing platforms.
7. **AI enabled suspicious activity detection**: High precision AI enabled system to ensure detection and tracking of suspicious activities.

APPLICATIONS INCLUDE

- Targeted Impact
- Coordinated Activity
- Multiple Coordination

21 ARM | Drone Take off & Landing | Gun Systems

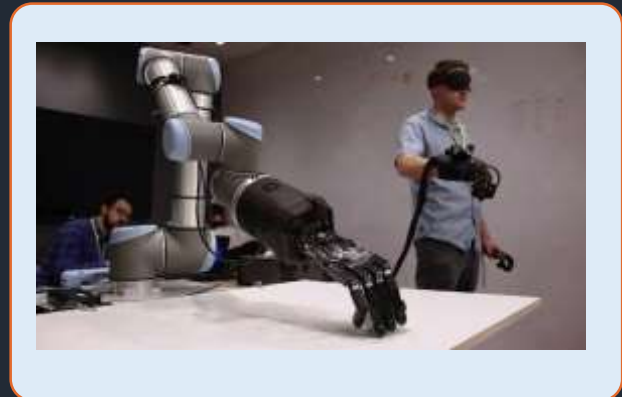
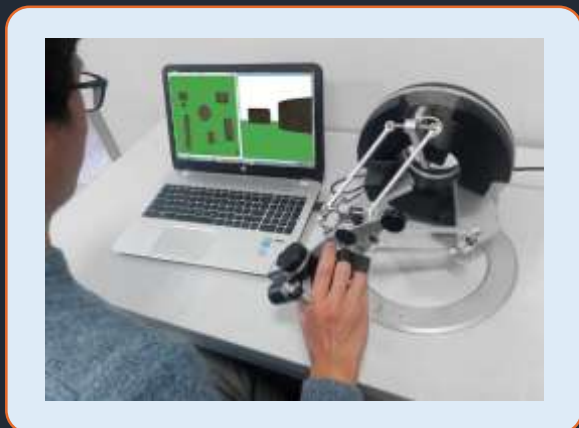
Remote operation of robotic arm, which is securely mounted on the ATV (All Terrain Vehicle) provides improved operational features of vehicle in remote areas which can be hazardous to the troop.

- Fire
- Collapsed building
- Heavy lifting
- Obstacle removal
- Hazardous material handling
- Room Intervention

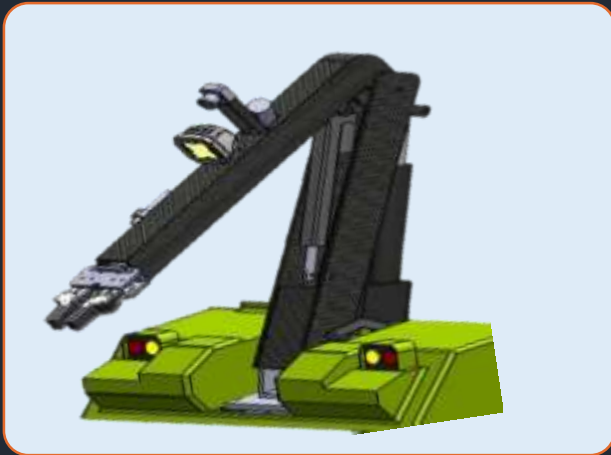


Remote operated gun mounted turret can be used to move aim in a specified direction without intervention of a manpower. Eliminating the risk and casualty the remote operated turret can be used in various dynamic scenarios.

- City Riots
- Fire
- Field Intervention



ARM | Drone Take off & Landing | Gun Systems



SPECIFICATIONS

Robotic arm specification

Weight : 25 kg
 Arm length : 115 cm
 Lifting : 80 kg
 Communication : Encrypted
 Range : 10 Km LOS

Turret specification

Tilt : 70 degree
 Rotation : 360 degree
 Angular speed : 23 RPM
 Range : 5 Km LOS

Remote controller

Frequency : 2.4 GHZ - 5.8 GHZ
 Batteries : Rechargeable
 Communication : Encrypted
 Range : 5 Km los

